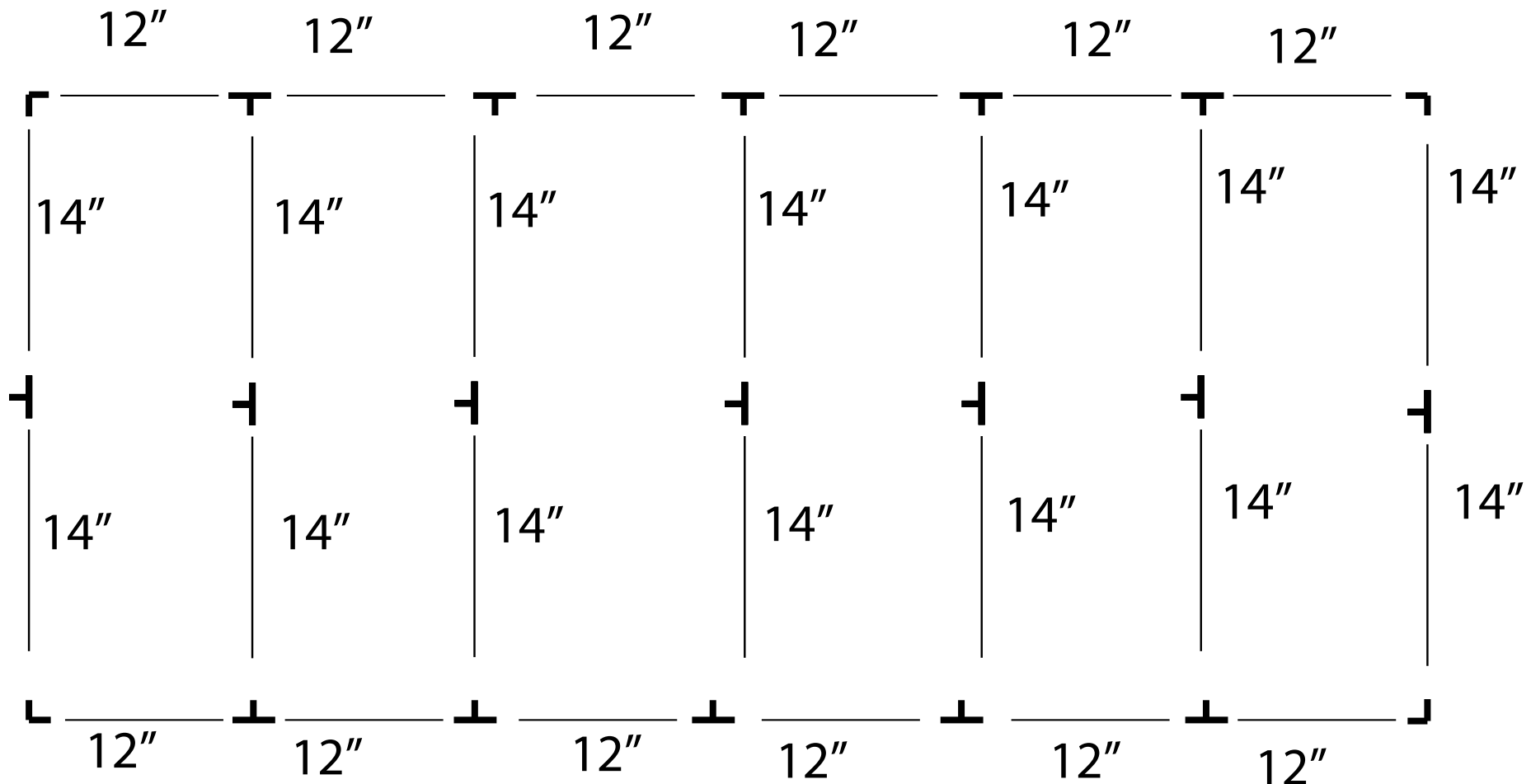


Pirate Ship Construction Plans

Design Copyright 2014 by Angel Hickman Peterson. All Rights reserved. For personal use only.

Ship Base 7 ft by 34"



Middle Pirate Ship

Mast

From 70 ft of 3/4 PVC pipe cut:

4 – 18" lengths

20 – 14" lengths

18 – 12" lengths

8 – 10" lengths

3 – 8" lengths

10 – 6" lengths

3 – 4" lengths

Fittings:

9 – cross or "X" fittings

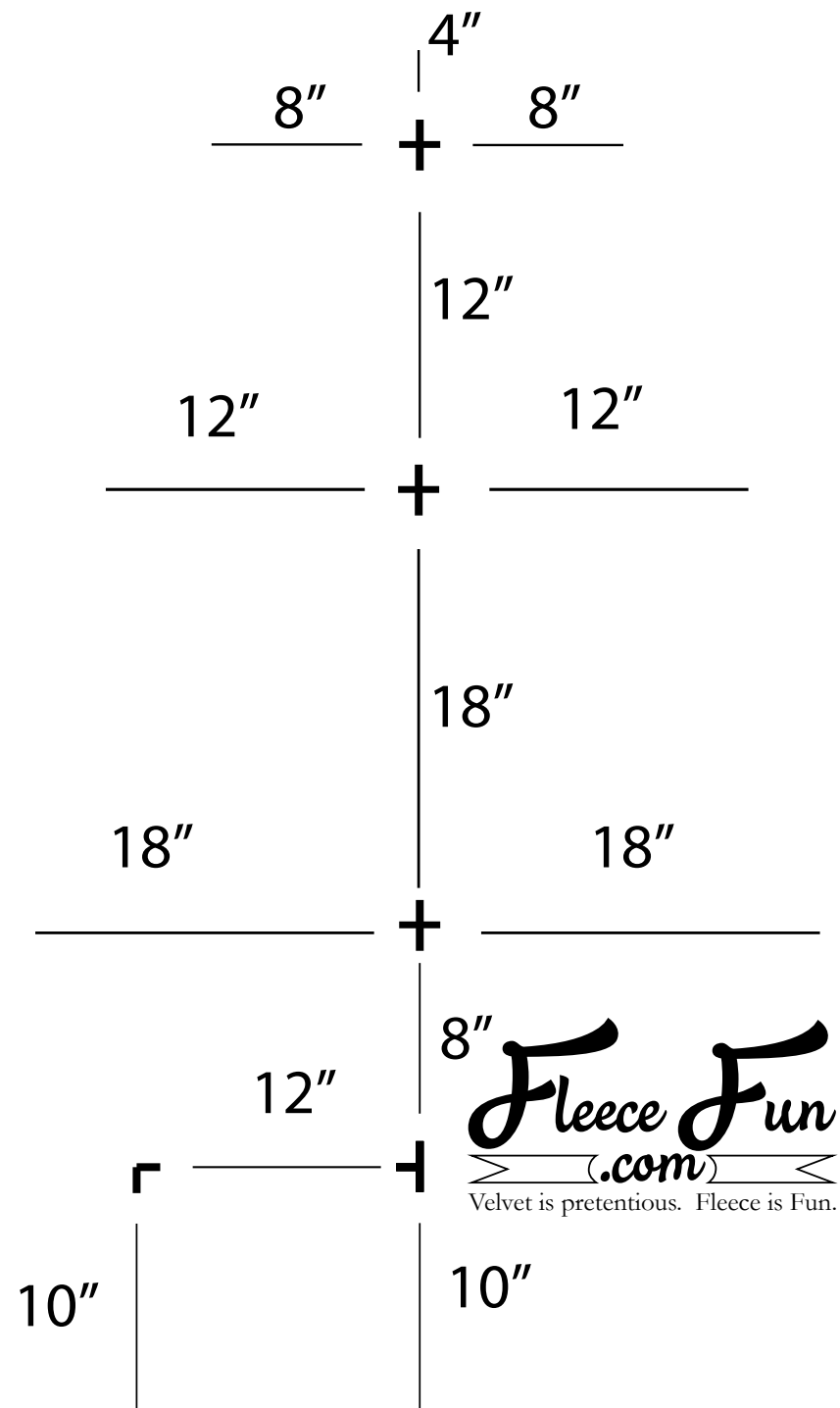
7 – elbow fittings

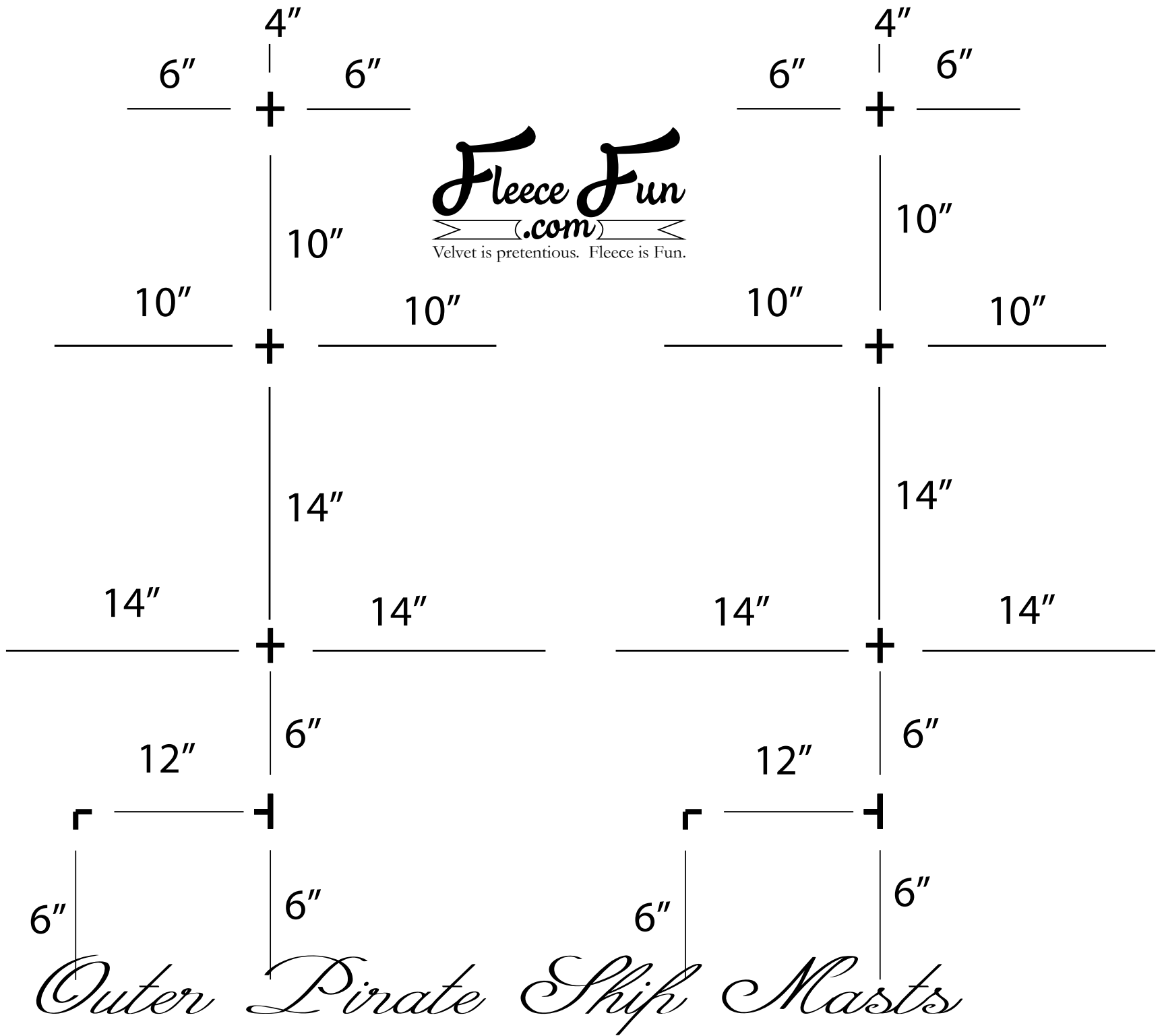
20 – "T" fittings

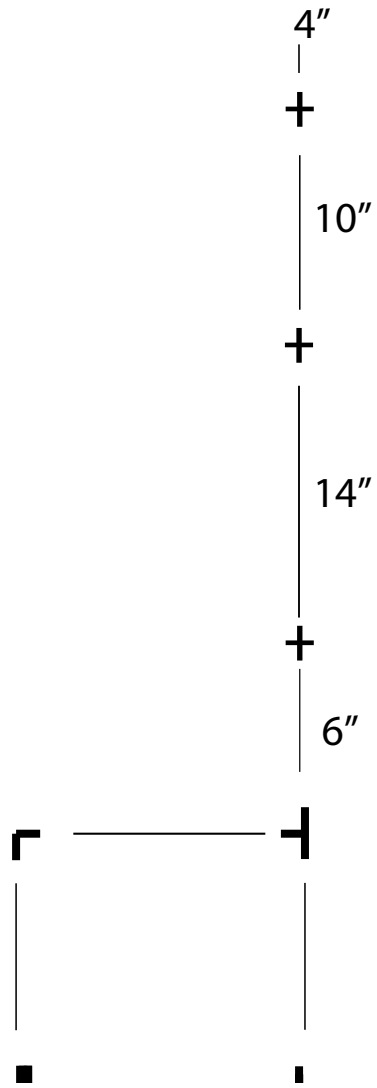
1 – 45 degree fitting

21 – end caps (optional)

(make sure that the fittings are "slip" and 3/4 inch)







Not to scale

